



**FEATURES:**

- SIP 8 Package
- Low Ripple and Noise
- Continuous Short Circuit Protection
- -40°C to +85°C Operating Temperature Range
- Ultra-Wide Input Range 4:1
- 1600VDC I/O Isolation
- Efficiency up to 82%
- Remote ON/OFF Control

**Models**  
Single output



Model	Input Voltage (V)	Output Voltage (V)	Output Current max (mA)	Maximum capacitive load (µF)	Efficiency (%)
AM3GH-1203SZ	4.5-18	3.3	700	1760	72
AM3GH-1205SZ	4.5-18	5	600	1000	77
AM3GH-1212SZ	4.5-18	12	250	170	81
AM3GH-1215SZ	4.5-18	15	200	110	81
AM3GH-2403SZ	9-36	3.3	700	1760	75
AM3GH-2405SZ	9-36	5	600	1000	79
AM3GH-2412SZ	9-36	12	250	170	82
AM3GH-2415SZ	9-36	15	200	110	82
AM3GH-4803SZ	18-75	3.3	700	1760	7
AM3GH-4805SZ	18-75	5	600	1000	78
AM3GH-4812SZ	18-75	12	250	170	80
AM3GH-4815SZ	18-75	15	200	110	81

**Models**  
Dual output

Model	Input Voltage (V)	Output Voltage (V)	Output Current max (mA)	Maximum capacitive load (µF)	Efficiency (%)
AM3GH-1205DZ	4.5-18	±5	±300	±470	77
AM3GH-1212DZ	4.5-18	±12	±125	±100	80
AM3GH-1215DZ	4.5-18	±15	±100	±47	80
AM3GH-2405DZ	9-36	±5	±300	±470	79
AM3GH-2412DZ	9-36	±12	±125	±100	79
AM3GH-2415DZ	9-36	±15	±100	±47	80
AM3GH-4805DZ	18-75	±5	±300	±470	79
AM3GH-4812DZ	18-75	±12	±125	±100	79
AM3GH-4815DZ	18-75	±15	±100	±47	79

NOTE: All specifications in this datasheet are measured at an ambient temperature of 25°C, humidity<75%, nominal input voltage and at rated output load unless otherwise specified.

**Input Specifications**

Parameters	Nominal	Typical	Maximum	Units
Voltage range	12	4.5-18		VDC
	24	9-36		
	48	18-75		
Filter	Capacitor			
Start up time		30		ms
Absolute Maximum Rating	12		25	VDC
	24		50	
	48		100	
Peak Input Voltage time			100	ms
On/Off control	ON 0 to 0.6VDC (or open) ; OFF:2.7 to 15.0VDC, OFF idle current: 2-4mA			
No Load Input Current			40	mA
Input reflected current		20		mA p-p

### Isolation Specifications

Parameters	Conditions	Typical	Rated	Units
Tested I/O voltage	3 sec		1600	VDC
Resistance		>1000		MOhm
Capacitance		200		pF

### Output Specifications

Parameters	Conditions	Typical	Maximum	Units
Voltage accuracy		±1		%
Cross Regulation (Dual Output Models)	25% load on one output - 100% load on second load	±5		%
Short Circuit protection		Continuous		
Short circuit restart		Auto-Recovery		
Line voltage regulation		±0.2		%
Load voltage regulation	From 0% to 100% load	±1		%
Temperature coefficient		±0.02		%/°C
Ripple & Noise	20MHz Bandwidth	30		mV p-p

### General Specifications

Parameters	Conditions	Typical	Maximum	Units
Switching frequency	100% load	100		KHz
Operating temperature		-40 to 85		°C
Storage temperature		-40 to +125		°C
Maximum case temperature			100	°C
Derating	Above 71°C	5		%/°C
Cooling		Free Air Convection		
Humidity			95	% RH
Case material		Non conductive black plastic		
Potting Material		Silicon (UL94V-0 rated)		
Weight		4.8		g
Dimensions (L x W x H)		0.86 x 0.36 x 0.44 inches	21.85 x 9.20 x 11.10 mm	
MTBF		>1,700,000 hrs (MIL-HDBK -217F, Ground Benign, t=+25°C)		
Maximum soldering temperature	1.5mm from case for 10 second		260	°C
Transient recovery time		250		µS
Transient recovery deviation		±3		%

### Safety Specifications

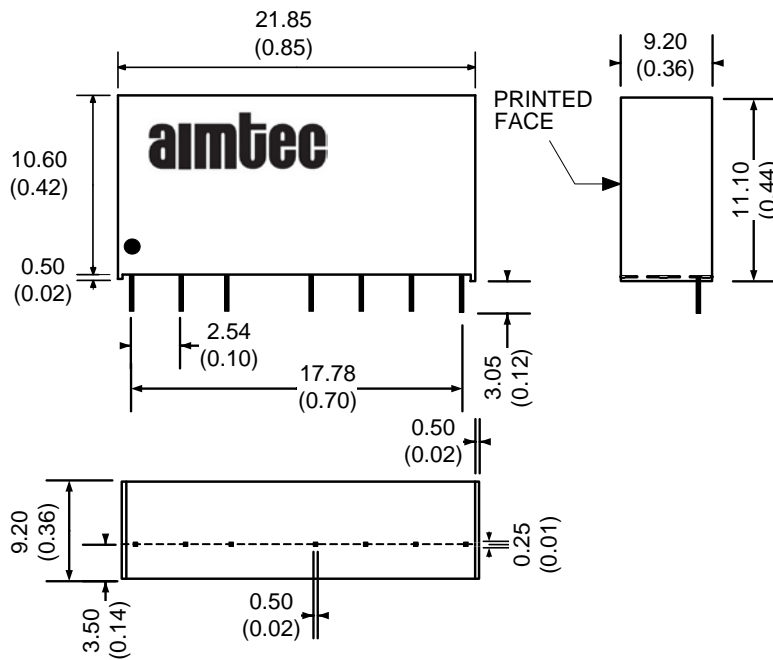
Parameters	
Agency Approval	CE
Standards	EN55022: 2006 + A1:2007, Class A
	EN55024:1998 + A1:2001 + A2:2003
	IEC61000-4-2:1995 + A1:1998 + A2:2000, Perf. Criteria B
	IEC61000-4-3:2006, Perf. Criteria A
	IEC61000-4-4:2004, Perf. Criteria B (external 220µF/100V cap required)
	IEC61000-4-5:2005, Perf. Criteria B (external 220µF/100V cap required)
	IEC61000-4-6:2007, Perf. Criteria A
	IEC61000-4-8, Perf:1993 + A1:2000, Criteria A
	NOTE: also designed to meet IEC 60950-1:2001

### Pin Out Specifications

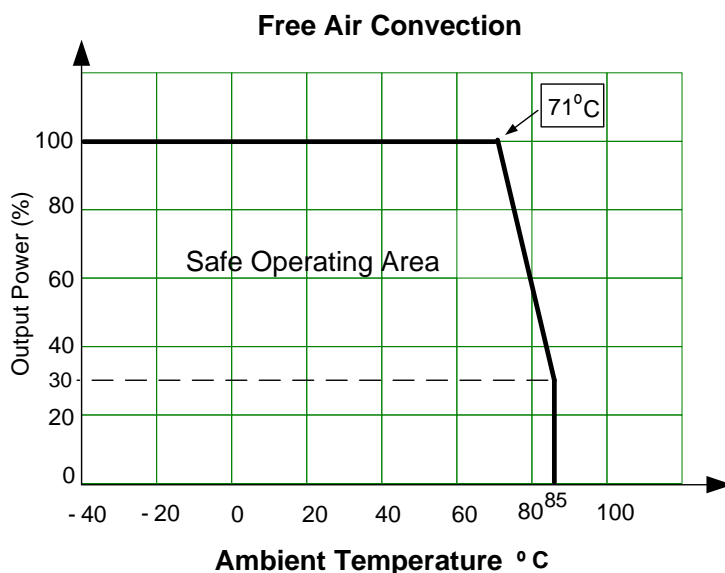
Pin	Single	Dual
1	- V Input	- V Input
2	+ V Input	+ V Input
3	On/Off Control	On/Off Control
5	N.C.	N.C.
6	+ V Output	+ V Output
7	- V Output	Common
8	N.C.	- V Output

NC: Not Connected

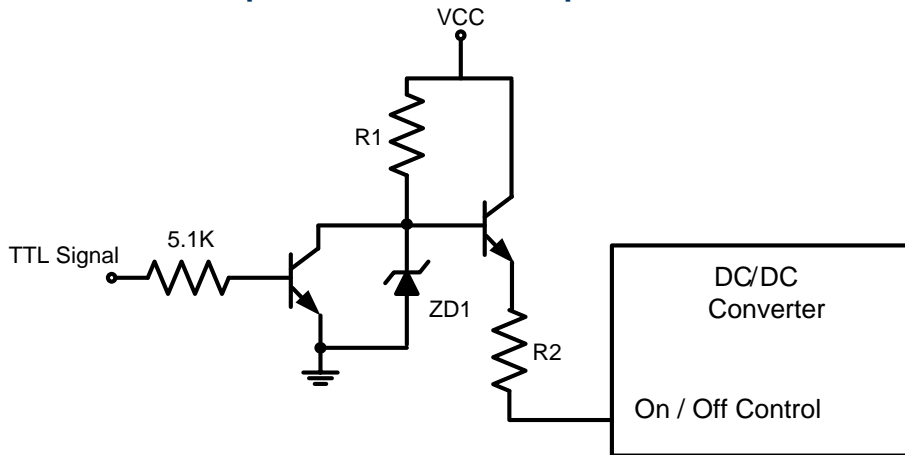
### Dimensions



### Derating



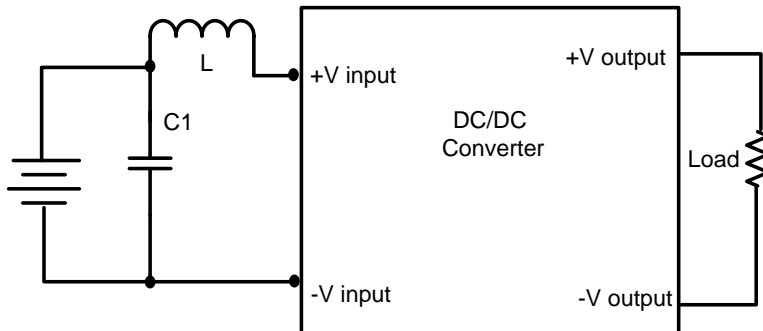
**Control ON/OFF pin connection example**



VCC (VDC)	R1 (KΩ)	R2(KΩ)	ZD1(V , mA)
4.5 -18	7.5	0	10, 5
9 - 36	18	2.2	18, 5
18 - 75	33	6.8	36, 5

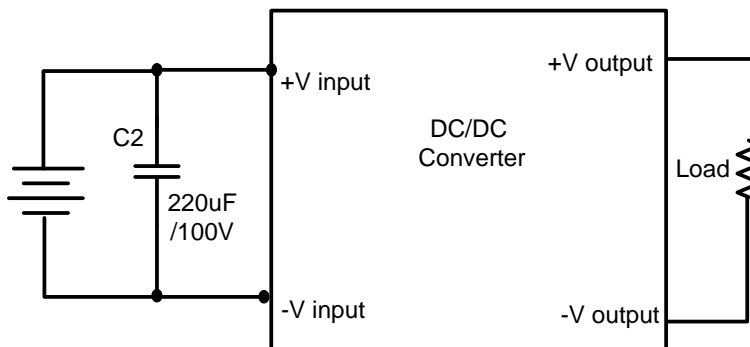
**Recommended Circuits**

**Conducted and Radiated Emissions**



Input Voltage (V)	C1 (uF/V)	L(uH)
12	10/35	2.5
24	2.2/35	10
48	2.2/35	18

**EFT/ Surge**



**NOTE:** 1. Datasheets are updated as needed and as such, specifications are subject to change without notice. Once printed or downloaded, datasheets are no longer controlled by Aimtec; refer to [www.aimtec.com](http://www.aimtec.com) for the most current product specifications. 2. Product labels shown, including safety agency certifications on labels, may vary based on the date manufactured. 3. Mechanical drawings and specifications are for reference only. 4. All specifications are measured at an ambient temperature of 25°C, humidity<75%, nominal input voltage and at rated output load unless otherwise specified. 5. Aimtec may not have conducted destructive testing or chemical analysis on all internal components and chemicals at the time of publishing this document. CAS numbers and other limited information are considered proprietary and may not be available for release. 6. This product is not designed for use in critical life support systems, equipment used in hazardous environments, nuclear control systems or other such applications which necessitate specific safety and regulatory standards other the ones listed in this datasheet. 7. Warranty is in accordance with Aimtec's standard Terms of Sale available at [www.aimtec.com](http://www.aimtec.com).